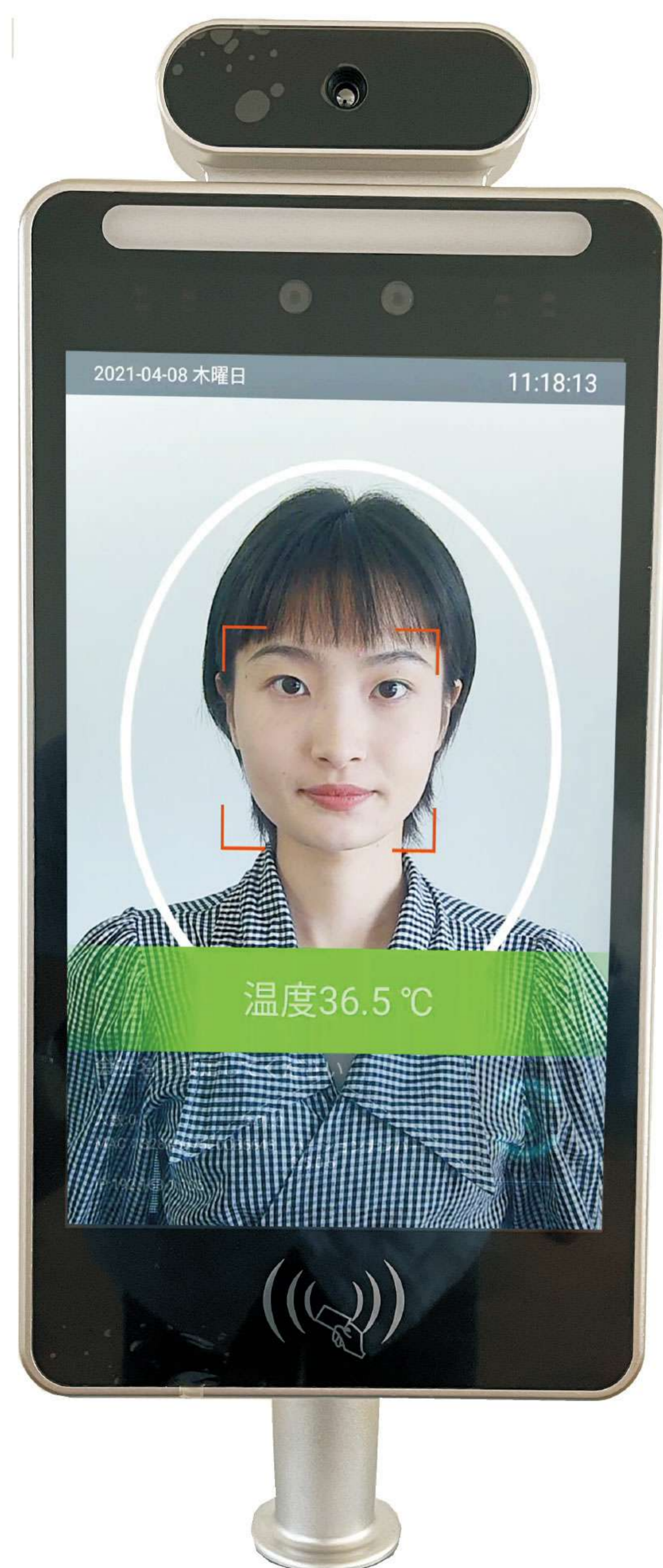


Smart Face Recognition Access Control Terminal User Manual



RA10T

It can be used with access gates and to meet the purpose of time attendance for communities, office buildings, schools, hotels, tourist attraction, transportation hubs

Parameters

Camera	Resolution	2 million pixels
	Type	Binocular wide dynamic camera
	Aperture	F2.4
	Focusing distance	50-150cm
	White balance	auto
	Photo flood light	LED and IR dual photo flood light
Screen	Size	10.1 inch IPS LCD screen
	Resolution	800×1280
	Touch	<input type="checkbox"/> Touch <input type="checkbox"/> Non Touch
Processor	CPU	Rk3288 qual-core(optional rk3399 six-core)
	RAM / ROM	DDR 2G / EMMC 8G
Interface	Network module	Ethernet and wireless or 4G
	Audio	8Ω / 1W speakers
	USB	1 USB OTG, 1 USB HOST standard A port
	Serial communication	1 RS232 serial port
	Relay output	1 door open singal output
	Wiegand	one Wiegand 26/34 output,one Wiegand 26/34 input
	Upgrade button	Support Uboot upgrade button
	Wired network	1 RJ45 Ethernet socket

Function	Card reader	optional IC / ID card reader function
	Face library	Up to 20,000
	1: N face recognition	Support
	1: 1 face comparison	Support
	Stranger detection	Support
	Identify distance configuration	Support
	UI interface configuration	Support
	Upgrade remotely	Support
	Interface	Interfaces include device management, personnel / photo management, record query, etc.
	Deployment method	Support public cloud deployment, privatized deployment, LAN use, stand-alone use
Infrared thermal imaging module	Temperature detection	Support
	Temperature detection distance	optimal distance 0.5~0.8 meter
	Temperature measurement accuracy	≤ ±0.3
	Temperature measurement range	10 ~ 42
	Detecting speed	1 second
	Visitors' temperature is normal and released directly	Support
	Abnormal temperature alarm	Support (temperature alarm value can be set)
General parameters	Power	DC12V ±10%0
	Operating temperature	0 ~ 40
	Storage temperature	-20 ~ 60

General parameters	Power consumption	13.5W Max
	Installation method	Gate bracket installation
	Size	Standard: 378*158.5*24.5 (mm)
IC card/ID card reader version: 425*158.5*24.5 (mm)		
Packing list	Machine * 1, power adapter * 1, manual * 1, certificate of conformity * 1	

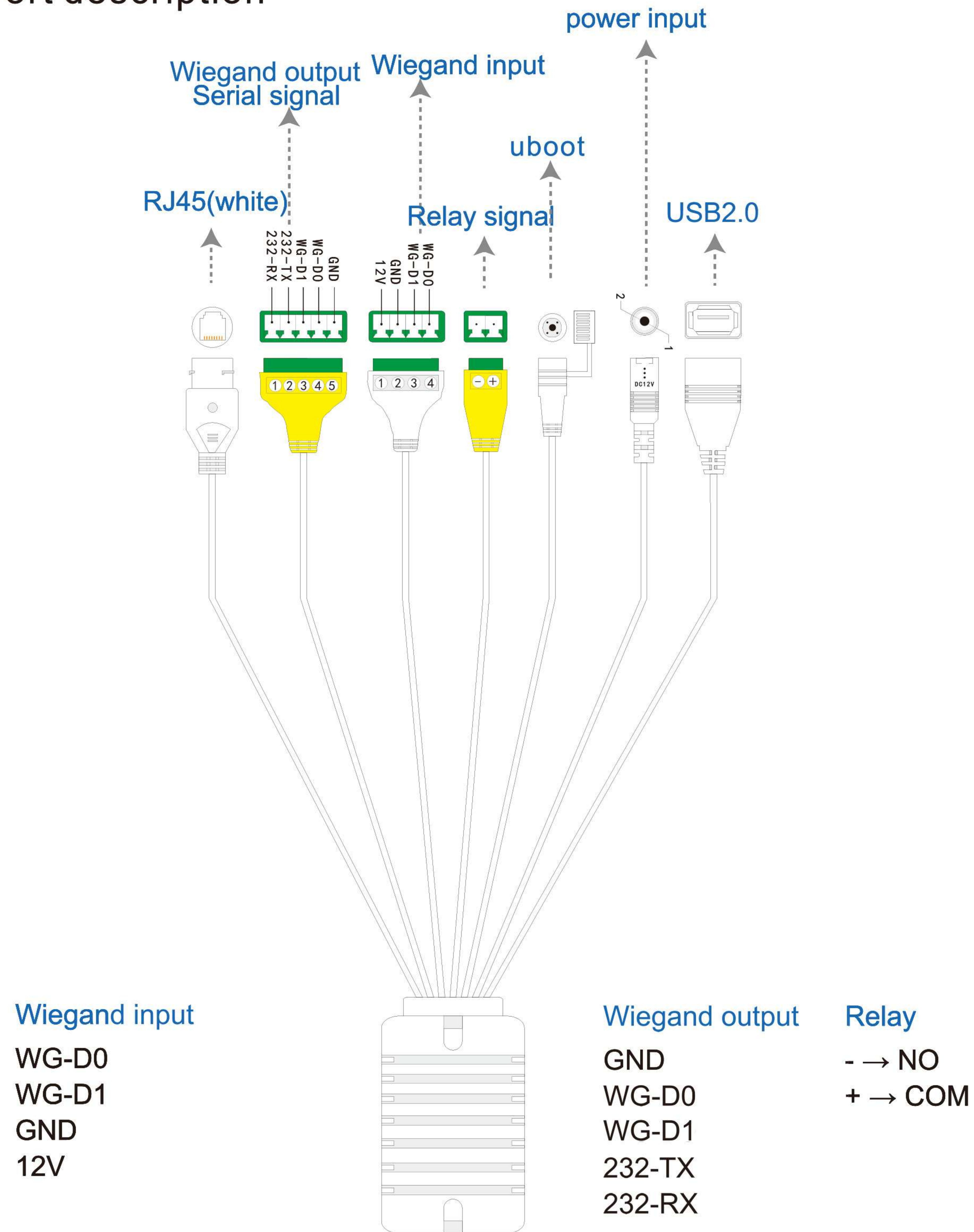
Installation Notes

1. Module structure description



Optional IC /ID card reader version, size: 425*158.5*24.5 (mm)

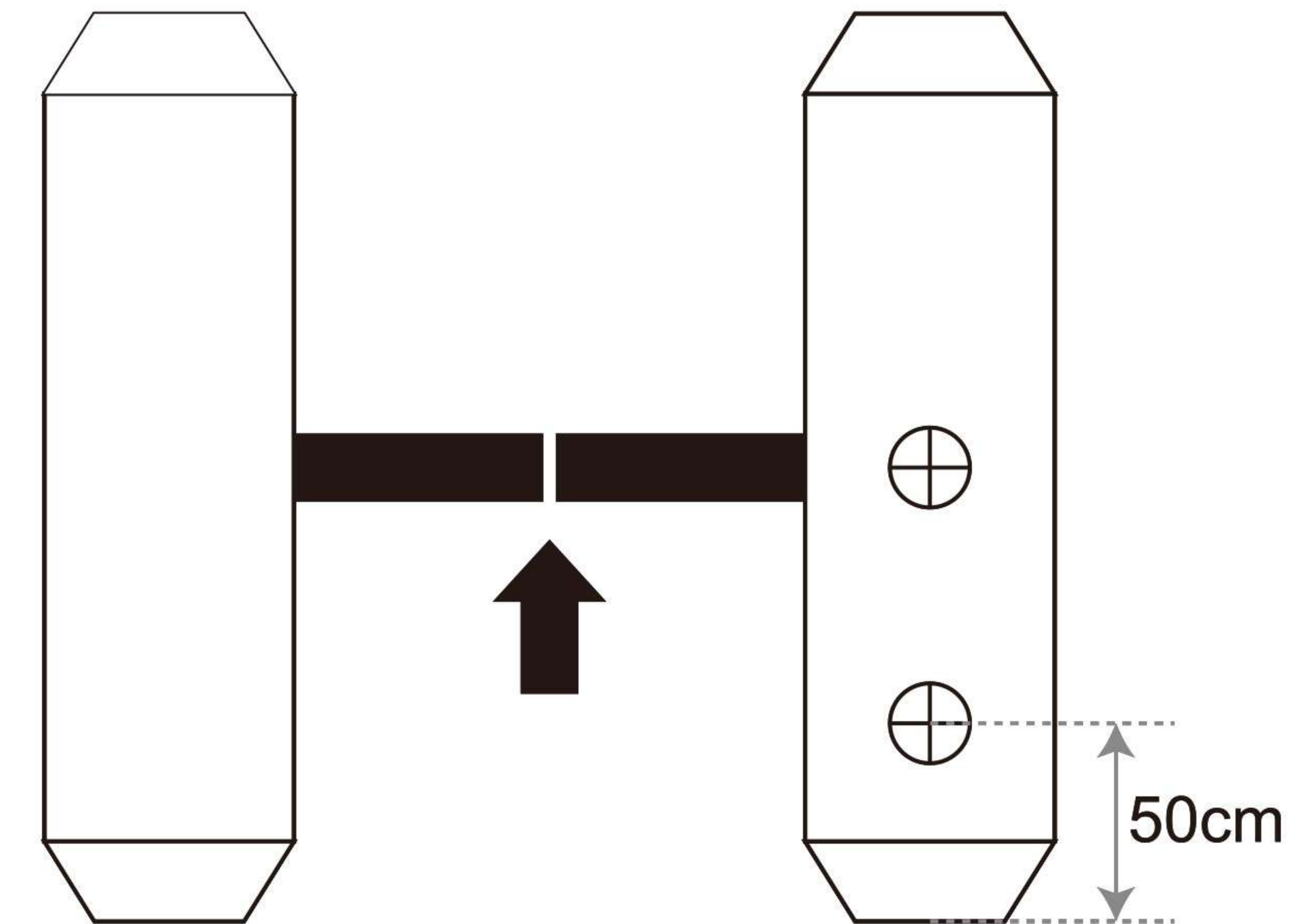
3.Port description



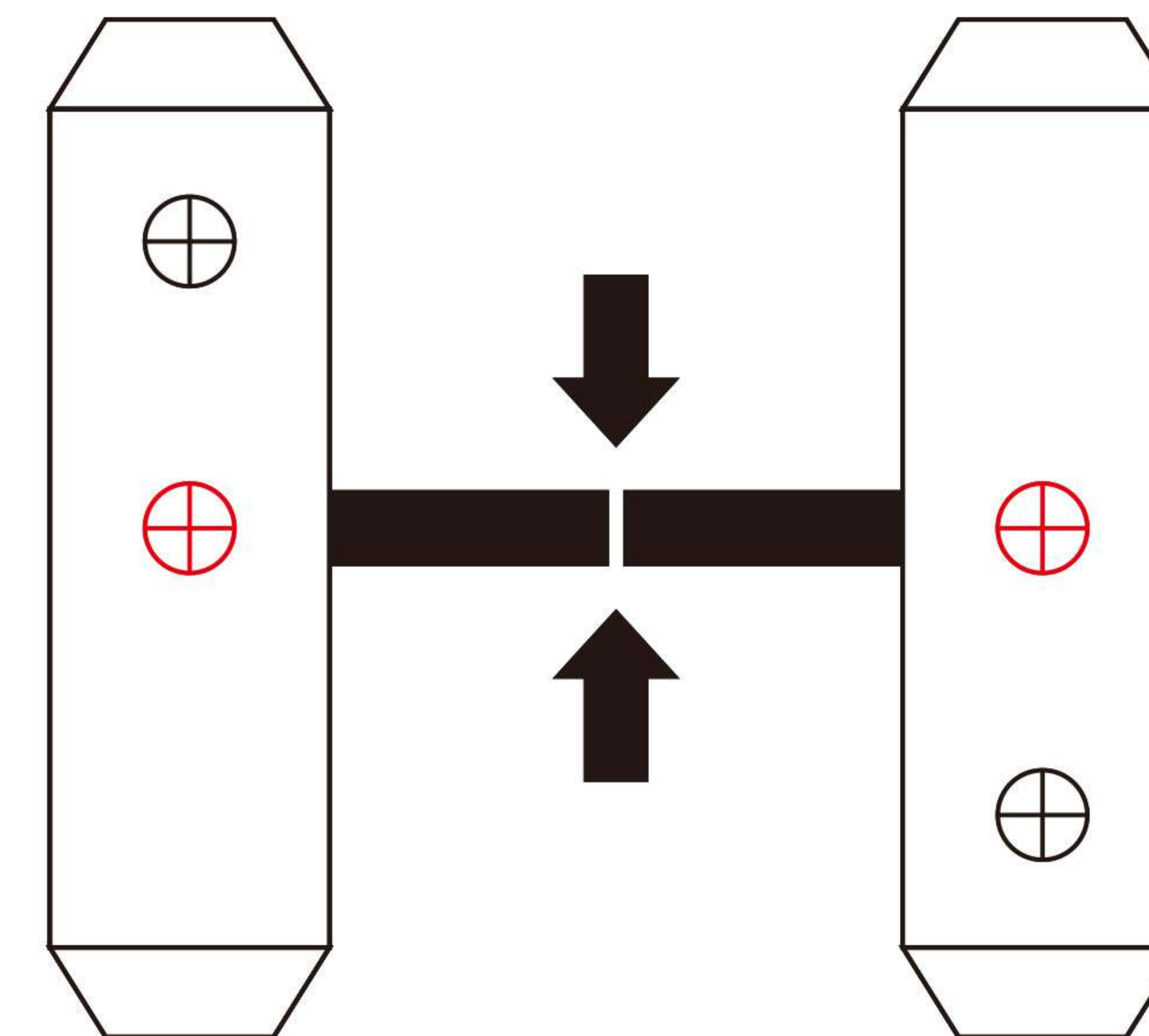
Line seven

4 Installation method

According to the requirements of the installation site, open a 35mm diameter hole (as shown in the figure below) in the space position of the gate (usually the middle or front side).



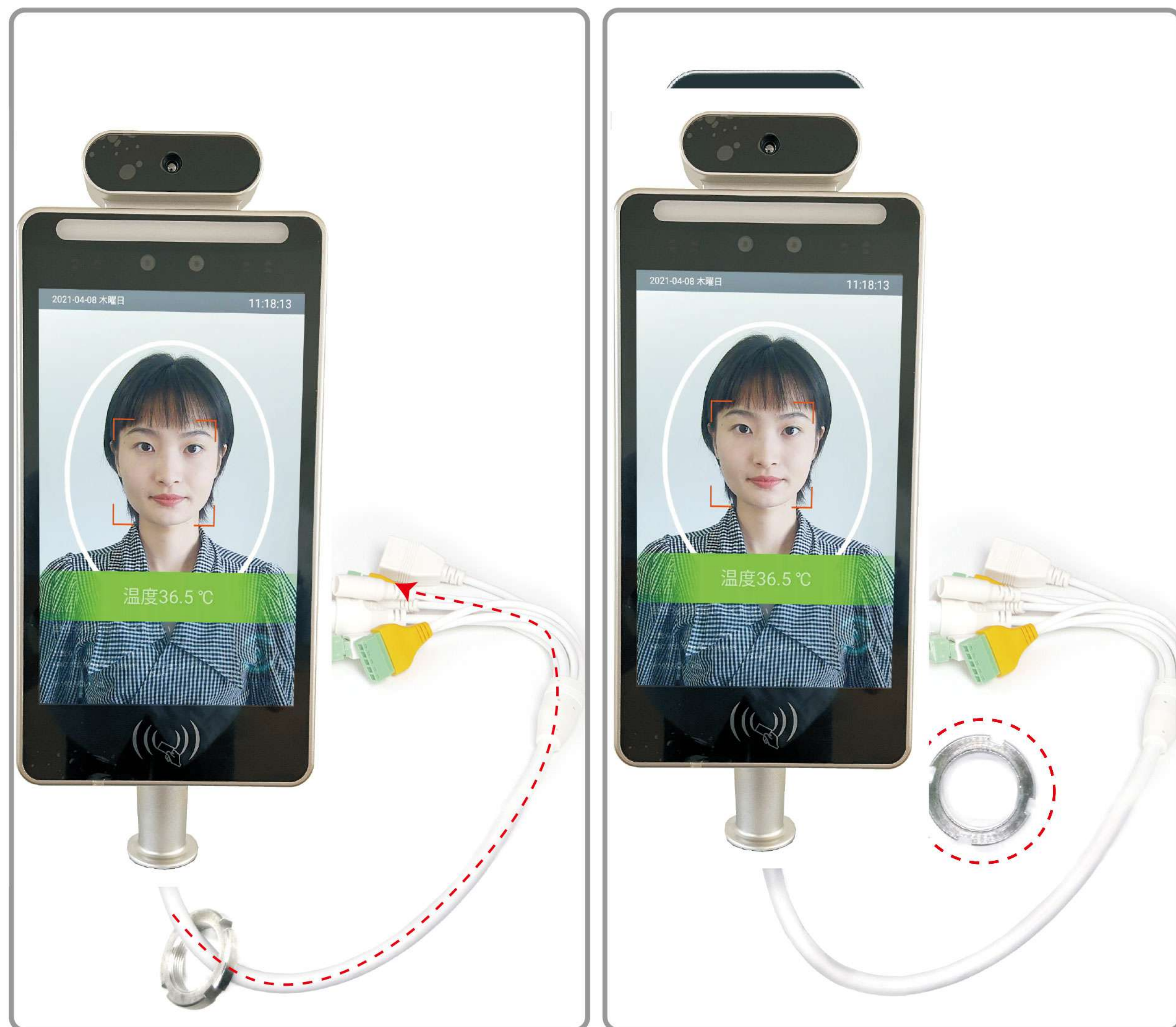
Single channel gate



Dual-channel gate

Note: The position of the opening should be based on the actual gate type and scene, and 35mm is your reference only.

Unscrew the nut at the bottom of the gate head post, thread the cable out of the nut, and remove the nut.



Care and Maintenance

1. During the installation and use of the product, all electrical safety regulations must be strictly observed.
2. Please use the power adapter provided by the regular manufacturer. For specific requirements of the power adapter, see the product parameter table.
3. When installing on the gate, please make sure that the product is installed firmly.
4. If the product does not work properly, please contact the after-sales service personnel. Do not disassemble or modify the product in any way (The company does not assume any responsibility for problems caused by unauthorized modification or repair).
5. Do not immerse the product in water. When the product is installed outdoors, try to use it with the rain cover provided by our company.
6. Please understand that you are responsible for properly configuring a password and other related product security settings, and keeping your username and password properly.
7. If the equipment does not work properly, please do not disassemble it for repair, otherwise it will affect the equipment warranty.
8. Avoid extreme or extreme environments such as extreme high temperature (or low temperature), high humidity, vibration, radiation, and chemical corrosion during installation and use.

Precautions

1. This product is not suitable for use in places exposed to direct sunlight.
2. This product is not suitable for outdoor or semi-outdoor use.
3. The best use environment for this product is indoor, with no wind temperature measurement distance of 50cm.

4. If the ambient temperature is below 15°C or over 30°C, the temperature measurement error will increase
5. The subject should have no strong light source directly on the forehead and face, and no other high/low heat sources interfere
6. When the tested person comes from outdoors or from a place where the temperature of the measuring environment is very different, the measured object should stay in the measuring environment for at least 5-10 minutes, and then measure the temperature after the temperature is consistent with the environment, otherwise it will affect Accuracy of test results
7. The tested object should keep the forehead dry and free from hair, dust, hats and other sundries.
8. The temperature measurement equipment cannot be promoted to the air outlet, and the hot and cold air affects the accuracy of the temperature measurement of the equipment.
9. Do not put this product close to or on high-temperature objects
10. Although the data measured by the human body infrared thermal imaging body temperature test equipment is only used for preliminary screening, it cannot be used as medical diagnosis data. Once a person with a high body temperature is found, further screening and confirmation are required
11. Calibration method 1: Before using this product for temperature screening, follow the steps below to calibrate
 - a) Use a traditional calibrated high-precision forehead temperature gun under the product environment to measure your forehead temperature, assuming get 36.3°C
 - b) Use this product to measure your own temperature in the environment where the product is used, assuming 36.0°C
 - c) Repeat step 1.2 more than three times to calculate the difference between the average value. If the error range between the average value measured by the forehead thermometer and the average value measured by this product is within 0.3*0, the product can be used normally. If you get a value that is too different, such as 1 redundant, you need to press and hold the middle mouse button to pop up a dialog box, enter 123456, enter the application setting, and set the compensation in the “body temperatur detection setting”.

Warranty Card

Dear customer, thank you for purchasing the smart face recognition access control management module. In order to better serve you, please read, fill in and properly keep the warranty card after purchasing the product.

Your name	
Contact person	
Telephone	
Address	
Date of purchase	
Serial number	
Maintenance records	
Cause of issue	

Warranty description:

1. This warranty card is required to be properly kept by the user as a proof of repair.
2. This product is guaranteed for one year from the date of purchase.
3. Warranty Equipment During the warranty period, under normal use and maintenance conditions, the machine itself malfunctions. Upon inspection, the company will provide free repair and parts replacement.
4. During the warranty period, if the following events occur, the company has the right to refuse service or charge materials and maintenance service fees as appropriate.
 - 1) This warranty card and valid proof of purchase cannot be provided.
 - 2) Product failure and damage caused by improper user use.
 - 3) Damage due to abnormal external forces.
 - 4) It is not our maintenance service, and the user dismantles it to cause damage.
 - 5) Failures and damage caused by natural disasters or other force majeure factors.
 - 6) Others intentionally damaged.
5. The company reserves the right to modify and interpret all content.