



# Touch Kiosk HP32 Model



 <b>Operating system</b> Android/Windows	 <b>Processor</b> J1900/i3/i5/i7 RK3288/RK3399	 <b>Bluetooth</b> optional	 <b>Touch screen</b> Multi-touch Smooth handwriting	 <b>Scanner</b> Scanner Support 1D, 2D 0-100mm decode ranges
 <b>Printern</b> With automatic cutter Support 80mm OD paper roll	 <b>Cash available</b> Accepts and stacks in 3s Hold dup1000ba nknote	 <b>Working environment</b> Working temp: -10-60° C Storage temp: -20 -70	 <b>Power supply</b> Input: AC100-240V	 <b>Tablet</b> Optional for self checkout

- Receipt printer with automatic cut and automatic detect paper remove
- Cash acceptor can hold up to mixed denomination 1000 notes
- Coin returner can offer change
- Automatic detect barcode and QR code
- Color-change breathing light in bottom, easy to catch Passers-by's sight
- 32" size, Slim body, simple design, elegant and beautiful
- 2 built-in Speaker to provide a stereosound effect
- Locked cabinet to ensure internal safety while being easily maintained
- With adjustable length stand, suitable for different size POS machine

## SPECIFICATIONS

### Monitor

Size	32 ' ' (or27 ")
Display scale	16:9
Type	Capa citive touch LED
Touch response time	5ms
Touch Object	Finger , Pen,

### Computer

CPU	Intel Core i3 i5 i7/RockChip
RK3288 System	Windows/Android
RAM	2G/4G/8G
ROM	32G/64G/128GB
Interface	USB*4,RS232*2,RJ45*1
Frequency ( H/V )	30 ~ 80KHz/60 ~ 75Hz
Storage Temperature	-5 ~-60

### Display

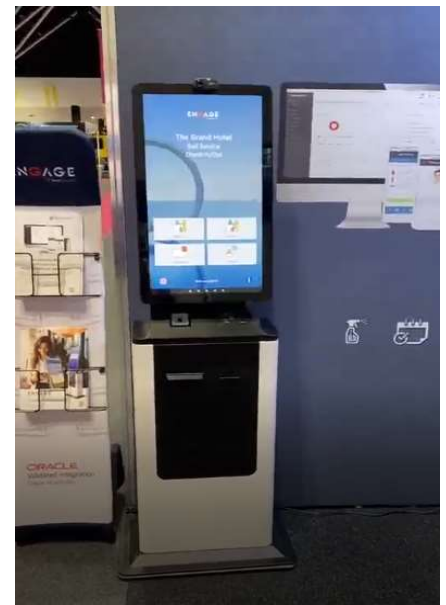
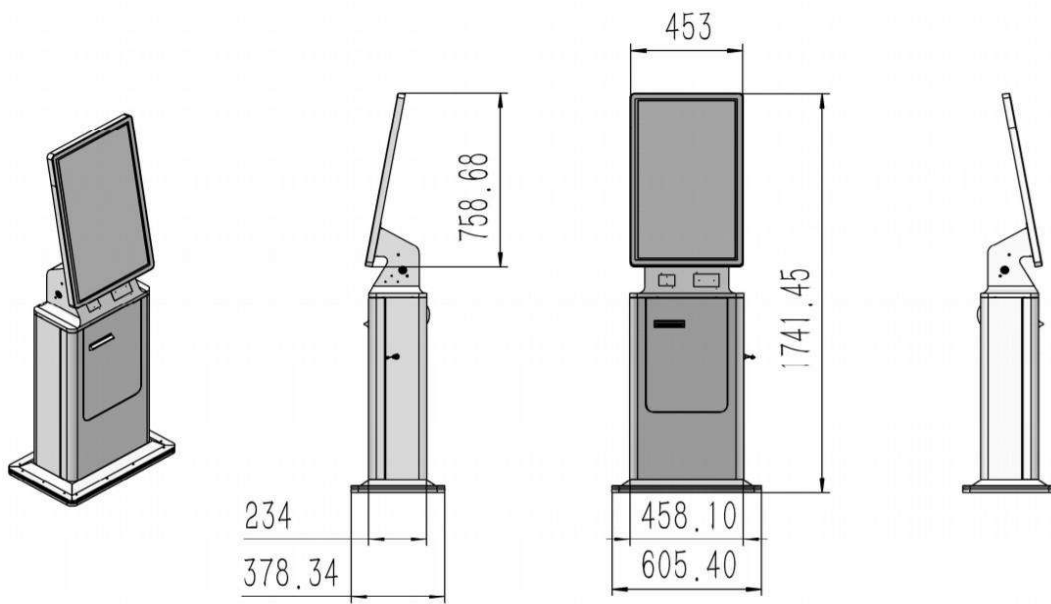
Resolution	1920x1080
Brightness	350 cd/m2
Contrast ratio	1200:1
Display area	765mm*459mm
Light transmit ratio	85%
View angle	178°/178°

### MoreInfo

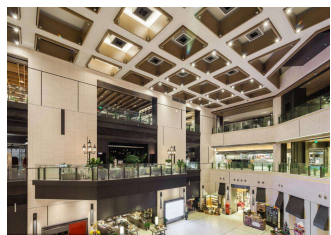
Overall dimension	605.4mm(L)*378.3mm(W)*1741.5mm (H)
Net weight	105KG
Power Type	external power adapter
Input voltage	100-240VAC,50-60Hz
Operating temperature	-10 ~ 50°C
Storage temperature	-20 ~ 60°C
Working humidity	10% ~ 90%
Storage humidity	10% ~ 90%
Protection level	IP56
LED Backlight Life (Min)	30,000hours



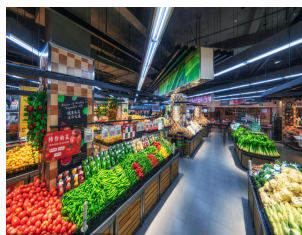
Default Accessories Provided: powercord, WIFI antenna



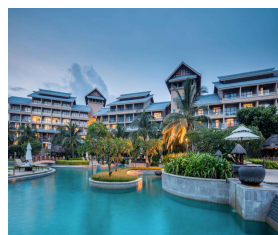
## Application Scenarios



Mall



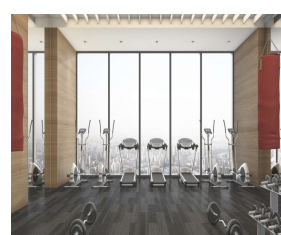
Supermarket



Hotel



Parking



Parking



www.hfsecurity.cn



www.hfeco.com

Head-quarter: Chongqing Huifan Technology Co., Ltd.

◆ D-13, Dongli International Building Longtousi, Yubei District, Chongqing, China.

Branch: Shenzhen BIO Technology Co., Ltd.

◆ Room 301-305, No.30, Jianlong Industrial Zone, Henggang, Longgang District, Shenzhen



info@hfctv.com



Huifan Technology Co.,Ltd



Huifan Technology



HF\_Security



Chongqing-huifan-technology



YouTube