

## Palm Vein Module-VP680

### Product Feature

- Rapid recognition of palmar vein, USB / serial port communication
- Support for a multi-system SDK
- Uses near-infrared light to meet working requirements under low brightness, without the need for additional lights to assist unlocking
- Large applicable angle, easy to identify by waving your hand
- Ultra-low power consumption in standby, low startup delay, and instant access through palm swiping
- Highly integrated, compact structure suitable for various cabinet door locks • Suitable for multiple operating systems, strong compatibility

### Application



property protection

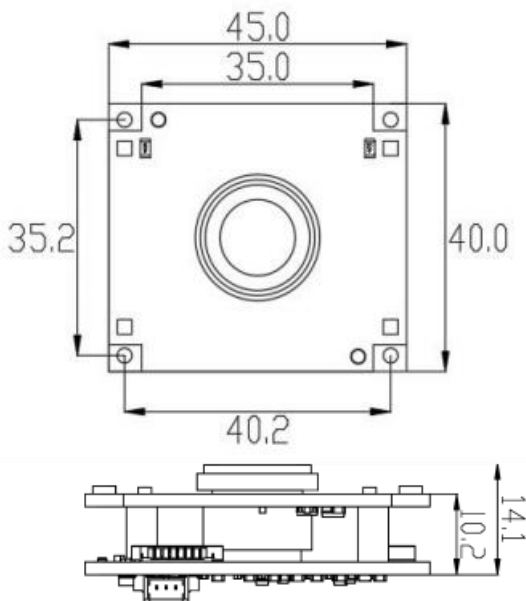
File cabinet lock, safe lock

Intelligent security

Identity authentication, access control, visitors

### Technical Parameters

### Dimensional structure



|                       |  |
|-----------------------|--|
| Dimensions(L * W * H) | 40*45*14 (mm)  |
| Gray level            | 256level   |
| Operating system      | Support for Android, Linux, and Windows operating systems              |
| Image size (W * H)    | (960 * 720) pixels   |
| Distortion factor     | <5%  |
| Joggle                | FPC1.0-7P  |
| Standby current       | 0mA  |
| Work environment      | Temperature: -15°C-55°C<br>Humidity: 20%-80%<br>(No dew)               |
| Working voltage       | 4.85V -6.3V  |
| Rated current         | <150mA   |
| Peak point current    | <500mA   |
| Applicable Angle      | Horizontal rotating soil is 20°<br>20° of front and rear inclined soil |
| Comparison mode       | 1:1, 1:N   |
| Capacity              | And 10,000 palms   |
| Accuracy              | FAR ≤0.0001 %<br>FRR ≤0.01 %   |
| Power time            | <250ms   |
| Recognition time      | <500ms   |
| Collect distance      | 7cm -14cm  |