

VP910 Palm Vein Module

Feature of product

- A module for non-contact collection of palm images;
- Built-in high-performance low-power processor, using USB interface for communication and power supply, supporting a variety of mainstream operating systems;
- Using an optical system composed of near-infrared fill light, wide dynamic image sensor and aspherical non-distortion camera, it can shoot high-quality hand shots.
The palm vein feature image has better anti-counterfeiting.



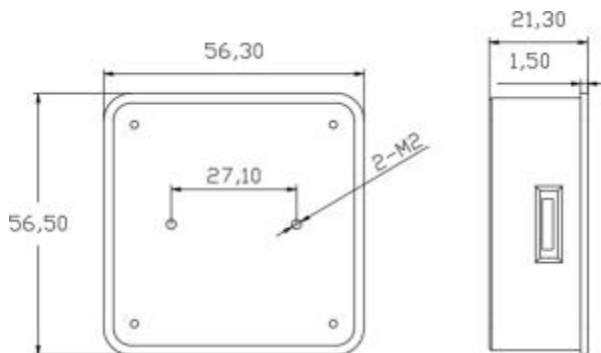
Application scenarios



The palm vein module is based on living biometric technology and has the advantages of high anti-counterfeiting, non-contact and easy integration, suitable for gold Application scenarios such as financial systems, public security systems, education systems, and public safety.

Structural dimension drawing

Pin 1	Pin 2	Pin 3	Pin 4	Pin 5	Pin 6	Pin 7
+5 V	GND	Shield	USB D-	USB D+	UART TXD	UART RXD



Technical parameter

Dimensions (L*W*H)	56.5*56.3*21.3(mm)
Grayscale	256level
Operating system	Support Android, Linux and Windows operating system
Image size (W*H)	(480*640) pixels
Distortion rate	<1%
Interface	7pin, 1.25mm, USB 2.0
Standby power consumption	≤0.85W
Working environment	Temperature: -15℃~55℃
	Humidity: 20%~80% (No condensation)
Operating Voltage	5V
Applicable Angle	Horizontal rotation soil 30°
	Incline soil 30° front and rear
Comparison mode	1:1, 1:N
Capacity	10,000 palms
Precision	FAR≤0.0001 %
	FRR≤0.01 %
Recognition time	<0.5s
Collection distance	10cm~25cm