



website: www.hfsecurity.cn

 023 6730 5242

 Dongli International Building D 1313~1316 LongTouSi, Yubei Zone, Chongqing, China

 info@hfctv.com

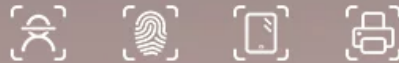


Portable Biometric Registration Kit

Sealed and waterproof ✓

Heat and cold resistant ✓

Crush-resistant and drop-resistant ✓



Biometric Registration Kit

Sealed and waterproof;

Heat and cold resistant;

Crush resistant and
drop-resistant;

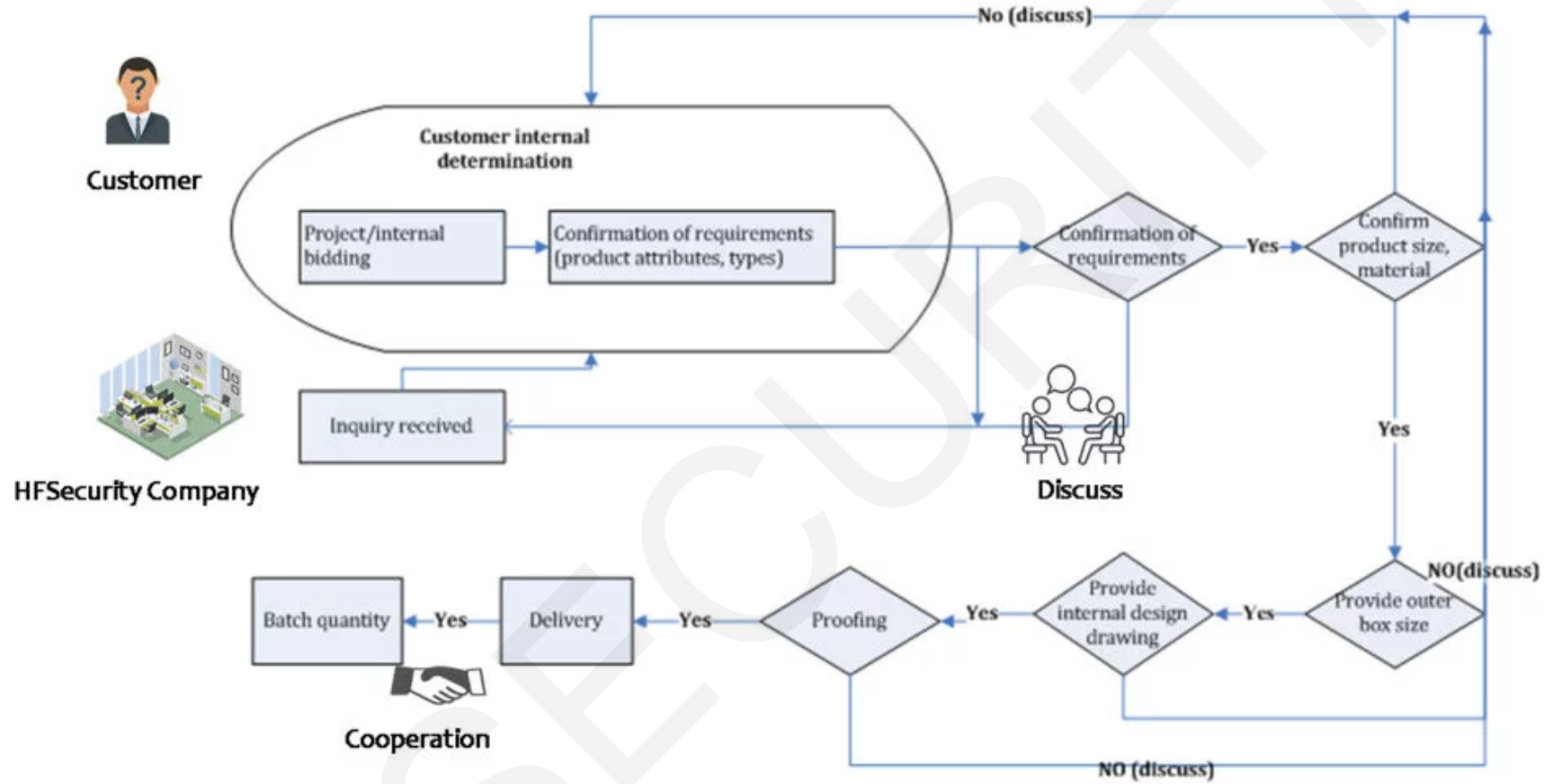
Single: Literally, a portable collection biometric fingerprint kit is a box with a biometric product inside.

Rich: from the box alone, in fact, can be classified as small sets of boxes, medium-sized sets of boxes, large sets of boxes, portable, roller type, backpack type, etc.; biometric products can be placed according to their own needs, common are fingerprint tablet, ten fingerprint instrument, printer, triangle bracket, rechargeable treasure, ruler, warning line, solar charging board, etc..

You say is not very rich it!

Huifan, as a solution provider with 16 years of biometric manufacturing experience, also has some solutions to share with you in biometric fingerprint sets of boxes. Next, let's take a look at the real face of biometric fingerprint enrollment kit solution together

About the definition of the biometric fingerprint set box and the application of the place, we have briefly introduced to you in the above, if you have other aspects of information, you can contact us.



Portable-Biometric-Enrollment-Kit-Solution

Step 1:

The customer receives the bid or internal bid project information internally, the company will compete for the first round of product aggregation.

Step 2:

The customer competes for the aggregated product information to be sent, and Huifan receives product inquiries.

Step 3:

The customer and Huifan company start the first round of information integration, confirm the good product consultation, Huifan company to integrate the product information, both sides confirm good, then start the fourth step of the set of box size and material confirmation.

Step 4:

Confirm the size and material of the suitcase. (The set of boxes is divided into small, medium and large) The following will specify the type of package. After confirming the size and material of the package, start the next step

Step 5:

Determine the size of the internal structure and the placement of products. After the previous requirements, appearance and structure are confirmed, you can start the proofing step. Of course, if there are differences, we will discuss them with the customer. Until the customer is satisfied

Step 6:

Proofing, according to the customer's needs for product proofing. The prototype will come back for testing, from the external structure of the case, dropping, using the environment for testing. We will also test the product.

Step 7:

Delivery. After the samples are successfully tested, it's time for delivery. Our logistics channel is very perfect, different special lines, different logistics methods. We ensure that the goods will be delivered to you at the first time. At the same time, before delivery, we will also goods in the transport process of the environment, transport test, drop test. At the time of delivery, we will choose different packaging methods according to different characteristics, the common ones are playing wooden frame, three-proof box and so on.

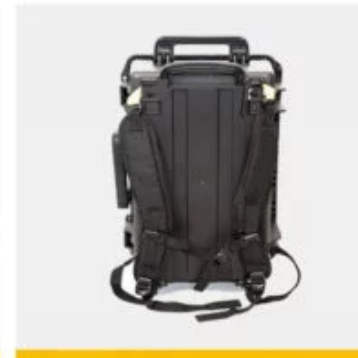
Step 8:

Deeper cooperation



Biometric Enrollment Kit Type:

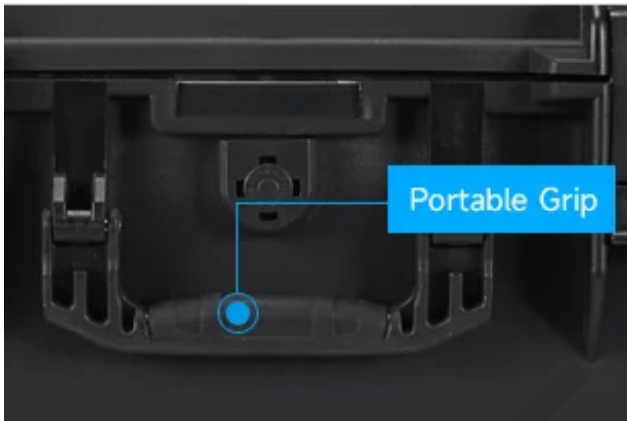
Model classification: small box, medium box, long box, large box (wheeled), backpack box (the following size for reference, support customization, customization please jump here)





The use of improved engineering plastic as raw materials, the product weather resistance, can work in the ambient temperature -40 °C -95 °C range

The use of improved engineering plastic as raw materials, the product box can resist ultraviolet radiation, strong impact resistance, anti-abrasion, flame retardant



Automatic air release valve design, to solve the use of air pressure problems, more durable, more waterproof.

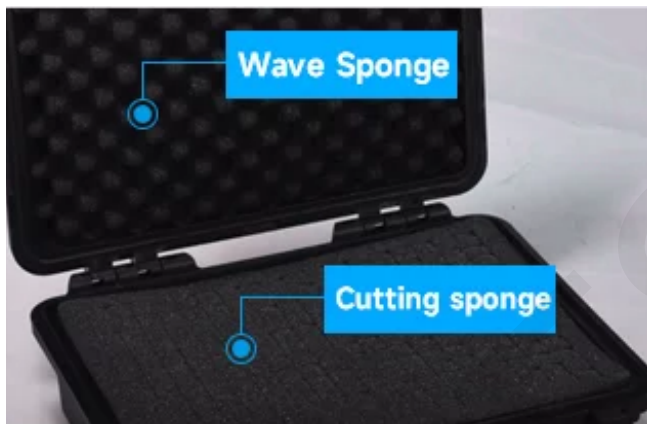
Automatic air release valve design, to solve the use of air pressure
Internal humanized details design, easy to place the equipment at will, as well as the use of





Automatic air release valve design, to solve the use of air pressure The use of excellent sealing materials, product protection level IP67

Ergonomic trolley bar, using the package rubber design, feel comfortable



Standard configuration for high-density anti-shock sponge, for the convenience of the user factory use, has been cut into small square, square not all cut, the user can key out the appropriate slot as needed

There are two lock holes near the handle, convenient to match the lock and increase protection



The top has a label position, the logo area can be played on the box customer logo



Biometric Enrollment Kit Competitive

Test Content	Test Objective/Method
IP protection level	Impervious to dust/no dust entry/protection against water immersion/no water entry at standard pressure time
Drop test	Inside 14KG items, 64MM height, corner angle surface all-round free fall 26 times 20 degrees
Low temperature drop test	14KG inside, 64MM height, 26 times 20 degrees free fall on all sides of the corner and prismatic surface
Vibration test	120 minutes of 5 to 50 Hz violent vibration, 3 axes, 40 minutes per axis
Rain test	Rainfall of 100mm per hour on each of the 6 surfaces for 40 minutes
Drop hammer impact test	Diameter 3.2mm top hemisphere weight 6kg 0.5m high impact
Water immersion test	Water depth 1m water pressure 1.5PSI cycle 1 hour

Certificate Report

Biometric product configuration options



Carry Box

IP67 rugged box with aluminum and EVA. Inner design and box size, depend on specific items needed in your case.

696*514*305mm

Subject to final products needed



4+4+2 Fingerprint Reader

* 4+4+2 Fingerprint Scanner

* FAP60

* FBI certificated

* 500ppi CMOS Real-time

* Image format: RAW, JPEG2000, BMP, PNG, WSQ

* Encryption: 256bit AES key and RSA algorithm

* Communication: SB 2.0

* image size: 1600x1500pixel/FAP 60

* USB Voltage: 4.40V to 5.25V

* Fill scan > 300mA, typical > 250mA

* 148*152*121mm



IRIS Scanner

* Dual iris camera, binocular

* Recognition distance 8-10CM

* Comply with IEC62471, GB/T 20145-2006

* Communication: USB 2.0

* OS: 32/ 64bit Windows, Linux Android work

* 220*160*65mm



Fingerprint Tablet

- *FAP60 Fingerprint Tablet
- *Android 11, 4+64GB, 4G, 2.0GHZ
- *with or without thermal printer

ThinkBook14

• 14英寸



Leveno

- *14 inch touch screen, Windows 10
- *CPU : 16G i7-1165G7 MX450-2G 16GB 512GB PCIe SSDHard disk drive
- *2xUSB 3.2 Gen,1x Type C. 1xHDMI 2.1, 1xRJ45, 1xaudio (headphones/Microphone combo)
- *351*232*17mm



Laptop

- *14.1 Inch 8+256 Window 10 Professional version hardware shell Intel core115 1155G7
- *Resolution: 1920*1080
- *Color: silver
- *Battery: 5000mAh
- *332.5*223.5*21.8mm



Laptop

- *14.1inch computersystem : Windows10
- *CUP: Gemini Lake /J4125
- *Memory: RAM 8GB+ROM 1TB
- *SSDresolution: 1920*1080
- *Color: black
- *Battery: 6500mAh
- *351*232*25mm



Monitor

- *Portable Monitor USB 15.6 inch TFT IPS LCD (16:9 Wide)
- *LED Backlight
- *363*238mm

产品实拍



58mm Thermal Printer

- *Thermal printer, 58mm width
- *USB/Bluetooth 4.0
- *115*85.5*38mm



80mm Thermal Printer

- *Thermal printer, 80mm width
- *USB/Bluetooth 4.0
- *120*100*50.5mm



Canon printer

- *Canon PIXMA TR150
- *Resolution: 4800x1200dpi
- *322*185*66mm

Black ink cartridge; for Canon PIXMA TR150 printer use, Each kit comes with an extra black ink cartridge
color ink cartridge; for Canon PIXMA TR150 printer use, Each kit comes with an extra color ink cartridge

Portable Document Scanner



- *TWAIN compliant
- *Scan type A4 Duplex Color High Speed Paper Feed Portable Scannerscanning element
- *CIS×2optical
- *Resolution 600x600dpi
- *Scanning speed 20 ppm/ 40 ipm (same speed as gray and color, 200dpi, A4 portrait)
- *Output: JPG, BMP, multi-page TIFF, multi-page PDF and searchable PDF
- *Interface USB2.0 driver
- *OS: Windows XP / Vista / 7 / 8 / 10
- *288.5*98*75mm



L shape

- *L shape, A4
- *Image Format JPG, BMP, TIFF, PNG, PDF,etc
- *Image Processing RGB24 color/sharpness adjustable, color adjustment,gain control,etc
- *Power Requirement Supply from USB
- *System Requirement Win XP and above (32/64 bit)
- *3308*330*135mm



Mobile Scanner

- *Portable Handheld Document Scanner A4 paper document scanner
- *250*30*25mm



conversations always sound natural and clear. captures audio clearly from up to one meter away without amplifying background noise so the features that integrate seamlessly with noise-cancelling technology. The wide

2019 PROFESSIONAL IN ANY ENVIRONMENT

Logitech

*Logitech Brio Ultra HD pro business

*Webcam Logitech camera 4K webcam, super4Khd C1000E (Logitech Brio Ultra HD pro business webcam)

*27*102*27mm



Microsoft HD 3000

*Microsoft Lifecam HD 3000 720P HD Camera

*27*95*27mm



Logitech

*Logitech Camera C920 Logitech Webcam 1080P Can be used with a laptop to take pictures

*Net weight: 1.8kg

*27*102*27mm



Canon

- *EOS1300D Effective Pixels1800Ten thousandimage processorDIGIC4+,video shooting1080P, *reapprox.450g
- *129*101.3*77.6mm



Fill-in light

- *Tripod Fill light
- *Power 10w
- *Light distance 5m
- *Android charging portbattery capacity2500mAH
- *Stand height300mm
- *50*80*370mm



Wacom Signature Pad

- *WACOM FOR BUSINESS STU-430
- *Dimensions 4.5Inch LCD black and white
- *Resolution320*200
- *162*174*11mm



Signature Pad

*WACOM FOR BUSINESS STU-540

*5-inch LCD color

*Resolution 800*490, to capture signed notes with biometric data, and the data is encrypted for transmission to ensure the security of signature acquisition

*163*157*10mm



Signature Pad

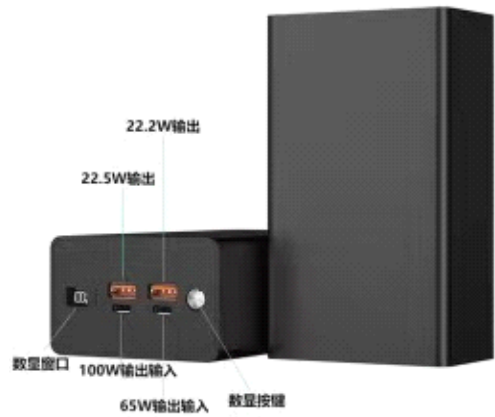
*Fingerprint signature version

*Window 7 or later

*Screen size: 5-inch display

*Resolution: 800*480P

*166.9*173.35*18.31mm



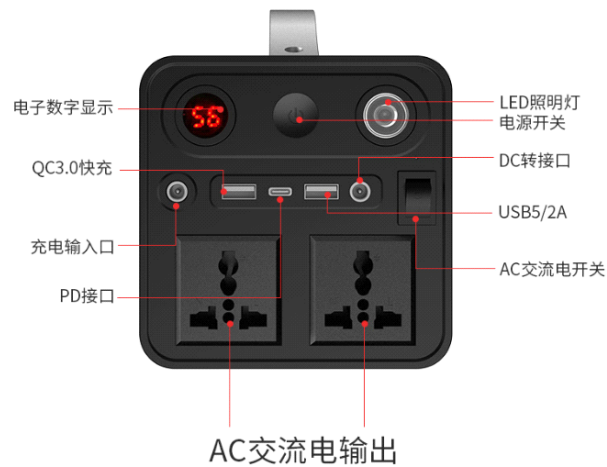
Notebook power bank

- * 40000mAh battery
- * Input power: 5V/4A 9V/3A 12V/3A 15V/3A 20V/3.25A
- * Output: USB1-2 output :5V/4.5A 9V/2A 12V/1.5A
- * Output Type-C1-2:5V/3A 9V/3A 12V/3A 20V/5A
- * Net weight:920gram
- * Color:blue grey
- * USB output, type-c dual input output process:aluminum alloy+ABS plastic
- * 136*78*48mm



Solar power charging bank

- * Battery material: high-density polymer lithium-ion battery
- * Capacity:10000/20000/30000mAh
- * Power (input/output): DC 5V/2.1A
- * 148*71*19mm



*不使用交流电时,请关闭AC交流电开关节省电量

UPS

*Multifunctional portable UPS

*Capacity: (300W)333WH(90000MAH)

*Input charging power: CC/CV 15V/2A

*DC output:12V/10A

*PD output: 25W

*DC output: 9V/12V/10A MAX

*USB output: 5V/2.1A

*input power: CC/CV 15V/2A AC Inverter

*Output: 110V-60HZ 220V-50HZ(laptop adapter plugged inAC220V ready to use) productweight

*3.5KG

*110*120*250mm



Solar panel kit

*solar panel

*100W

*for charging and powering the notebookWith voltage stabilizer box

*used for stable voltage power supply

*1090*1665mm

Customized section: Logo customization



Labeling

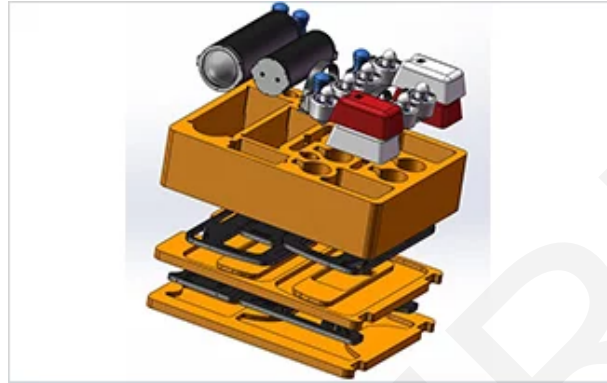
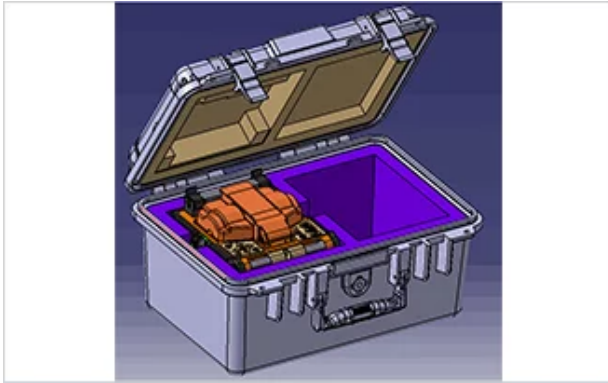


Screen printing on the box



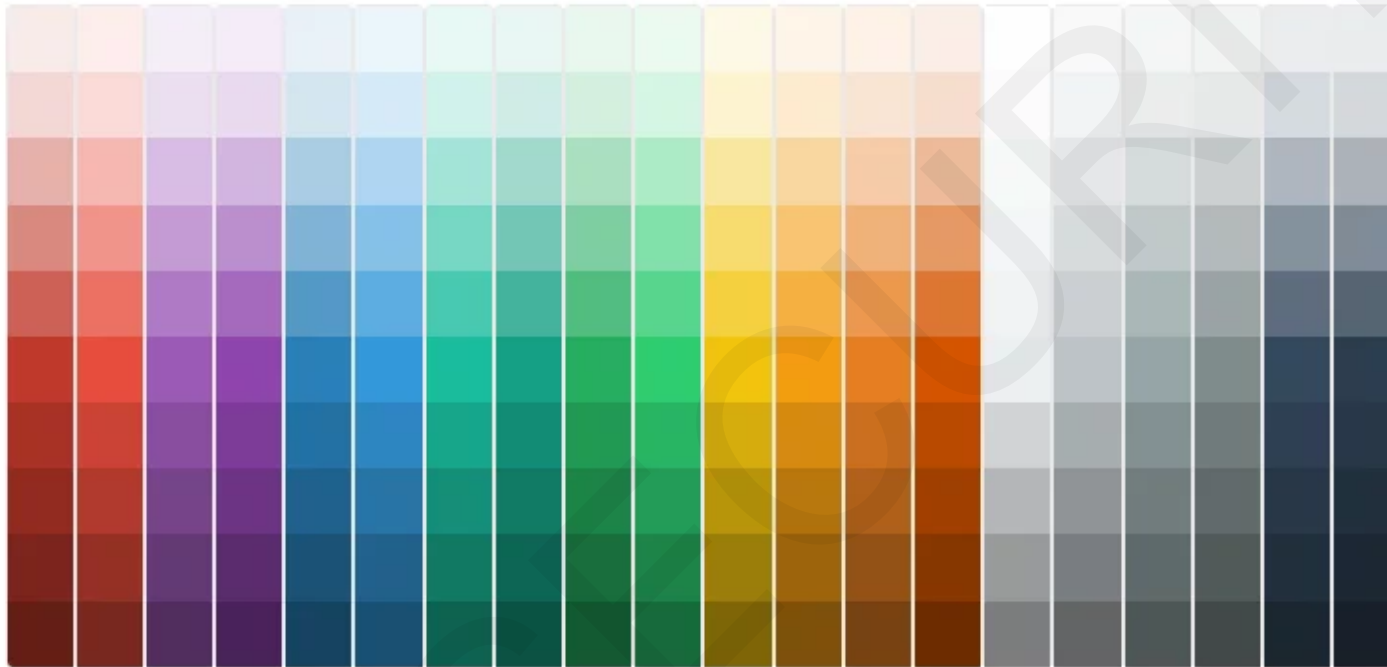
Box and LOGO integration

Lining customization



Color customization

 HEX #E67E22 RGB 230, 126, 34 HSL 28, 80%, 52%



Customization instructions

1. Can be silk-screened on the product, but also can be integrated with the LOGO box, please provide the cdr file and logo pattern.
2. If you need to change the color, you need to provide color samples (direct details can consult customer service).
3. The cost of customization depends on the size of the product and the specific number of
4. If you need to open the mold to customize the product (consult customer service for more details)
5. Color, model and size should be specified when ordering. (Customer service can be consulted).

Biometric Enrollment Project Case



